

Circulator
Approval Specification**Approval Specification****Complies with Directive 2002/95/EC (RoHS)**

TO:

Part No.: NDC9001

Customer's Part No.:

Application

Please return this copy as a certification of your approval

Checked & Approval by:

Date:

**CETC DEQING HUAYING ELECTRONICS CO., LTD.**

Add: Zhiyuan Road Wukang Deqing County

Zhejiang Province P.R.C

Tel: 0086-572-8281621

Fax: 0086-572-8281498

E-mail: sales@dghuaying.comWebsite: <http://www.dghuaying.com>

Prepared by:

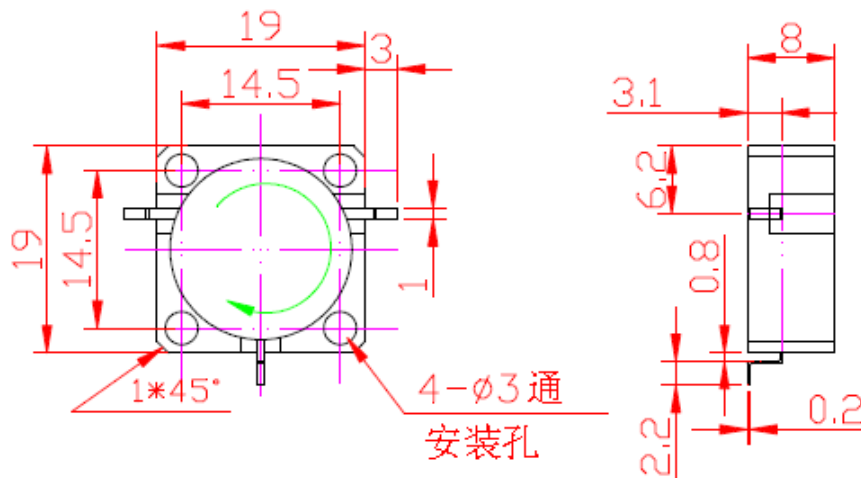
Checked by:



Approved by

Old Version	Revision Date	Revision Record	Revisor

**Circulator
 Approval Specification**
Features

- Microwave Circulators and Isolators for base station
- Metal Package for **Surface Mounted Technology (SMT)**
- Lead-free Production and **RoHS** Compliance

Package Dimensions (QR-19*19)


Marking  1.785-1.805GHZ NDC9001 L	Top View, Laser Marking													
	"ND":	Manufacturer's mark						"C":	Circulator					
	"9001":	Part number						". . .":	Terminal 1					
	"I"	IN	"O"	OUT	"L"	LOAD		Conduct Direction						
		1.785-1.805GHz : operating Frequency Range												
"*":	Lot number (The code shown below varies in a 4-year cycle)													

Code	1	2	3	4	5	6	7	8	9	10	11	12
2011	a	b	c	d	e	f	g	h	i	j	k	m
2012	n	p	q	r	s	t	u	v	w	x	y	z
2013	A	B	C	D	E	F	G	H	J	K	L	M
2014	N	P	Q	R	S	T	U	V	W	X	Y	Z

**Circulator
Approval Specification**

Maximum Ratings

Rating		Value	Unit
Source Power	P	30	dBm
DC Voltage	V_{DC}	10	V
Operating Temperature Range	T_A	-40 ~ +85	°C
Storage Temperature Range	T_{stg}	-40 ~ +85	°C

Electrical Characteristics


Reference temperature: $T_A = 25\text{ °C}$

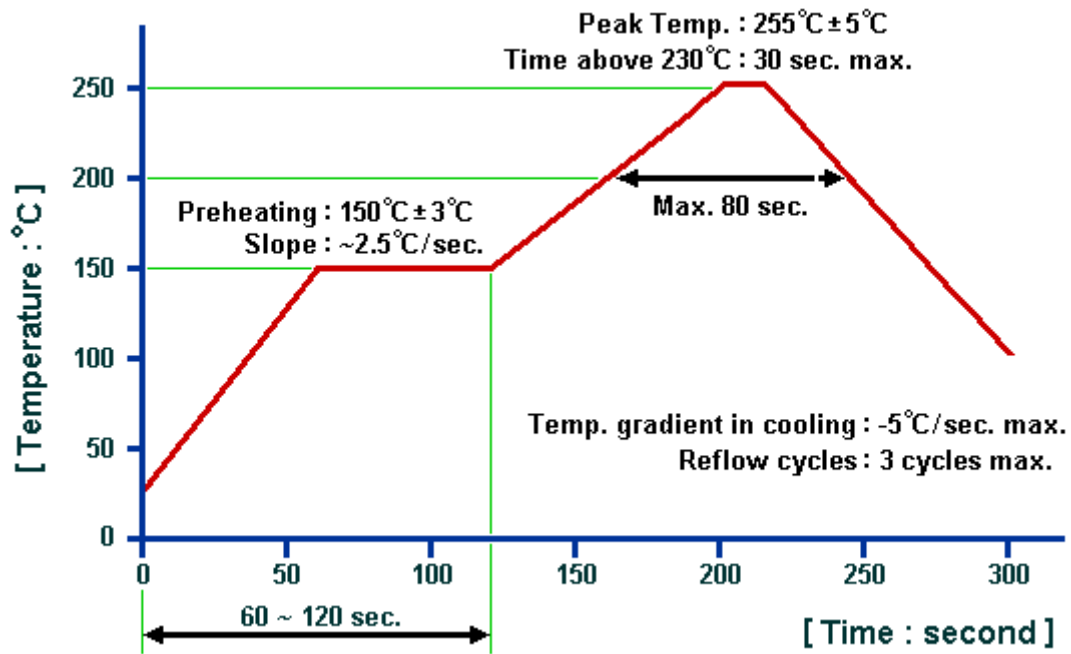
Terminating source impedance: $Z_S = 50\ \Omega$

Terminating load impedance: $Z_L = 50\ \Omega$

Characteristic		Min.	Typ.	Max.	Unit
Center frequency	f_c		1.795		GHz
Insertion attenuation	IL	—	0.18	0.24	dB
	$f_c \pm 10\text{ MHz}$				
Isolation		22.0	26.0	—	dB
	$f_c \pm 10\text{ MHz}$				
Input return Loss		22.0	26.0		
	$f_c \pm 10\text{ MHz}$				
Output return		22.0	26.0		
	$f_c \pm 10\text{ MHz}$				

 **RoHS Compliant**

 **Electrostatic Sensitive Device**

**Circulator
Approval Specification****Recommended Soldering Profile**

© HUAYING 2014. All Rights Reserved.

Our liability is only assumed for the circulator and isolator component(s) per se, not for applications, processes and circuits implemented within components or assemblies.

For questions on technology, prices and delivery, please contact our sales offices or e-mail sales@dghuaying.com.