

**Circulator
Approval Specification****Approval Specification****Complies with Directive 2002/95/EC (RoHS)**

TO:

Part No.: NDC9013

Customer's Part No.:

Application

Please return this copy as a certification of your approval

Checked & Approval by:

Date:

**CETC DEQING HUAYING ELECTRONICS CO., LTD.**

Add: Zhiyuan Road Wukang Deqing County

Zhejiang Province P.R.C

Tel: 0086-572-8281621

Fax: 0086-572-8281498

E-mail: sales@dghuaying.comWebsite: <http://www.dghuaying.com>

Prepared by:

Checked by:

Approved by

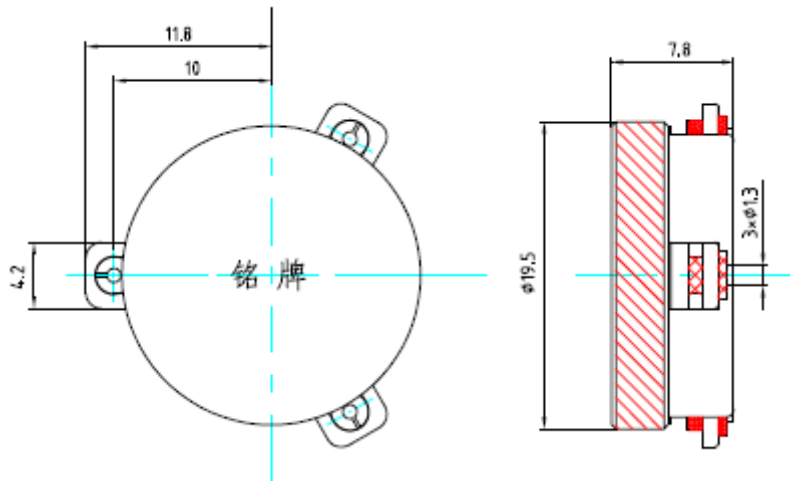
Old Version	Revision Date	Revision Record	Revisor

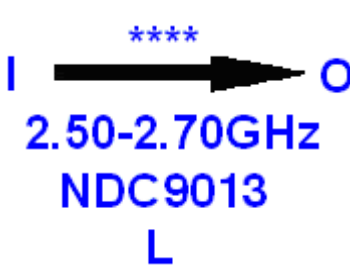
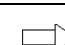
**Circulator
Approval Specification**

Features

- Microwave Circulators and Isolators for base station
- Metal Package for **Surface Mounted Technology (SMT)**
- Lead-free Production and **RoHS** Compliance

Package Dimensions



<p>Marking</p> 	Top View, Laser Marking						
	"ND":	Manufacturer's mark			"C":	Circulator	
	"9013":	Part number				Conduct Direction	
	"I"	IN	"O"	OUT	"L"	LOAD	
		2.500-2.700GHz : operating Frequency Range					
	"*":	Lot number (the first two numbers of years and the last two numbers of weeks)					

Maximum Ratings

Rating		Value	Unit
Average Power	P_{AVG}	70	W
Peak Power	P_{PX}	200	W
Operating Temperature Range	T_A	-40 ~ +90	°C
Storage Temperature Range	T_{stg}	-55 ~ +125	°C


**Circulator
Approval Specification**

Electrical Characteristics

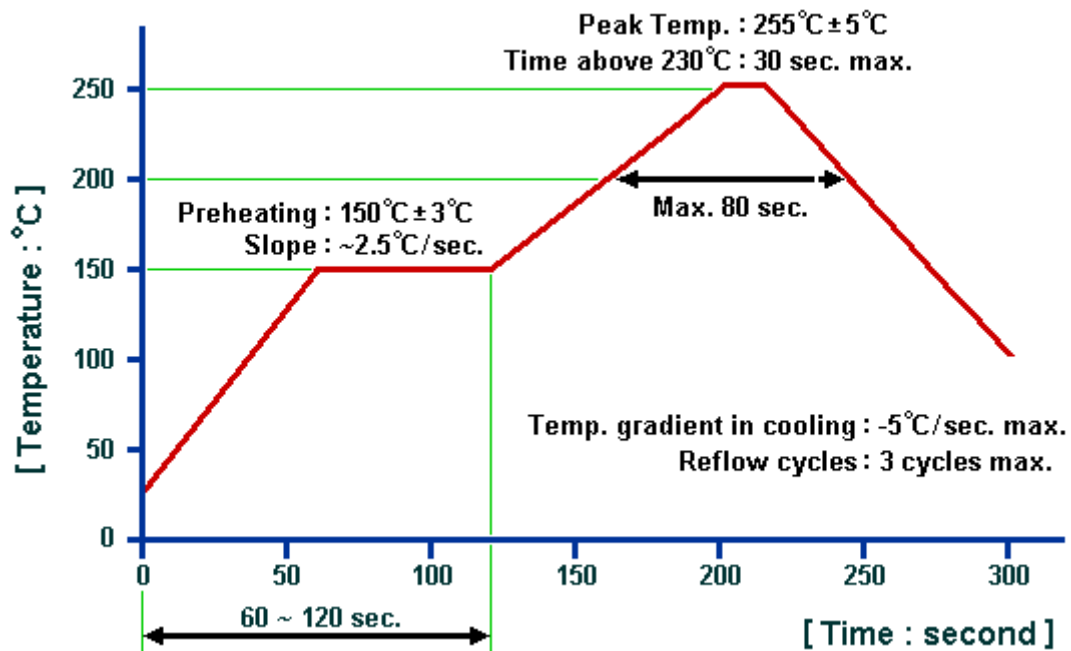
Reference temperature: $T_A = 25\text{ }^\circ\text{C}$
 Terminating source impedance: $Z_S = 50\ \Omega$
 Terminating load impedance: $Z_L = 50\ \Omega$

Characteristic		Min.	Typ.	Max.	Unit
Center frequency	f_c	2.500		2.700	GHz
Insertion attenuation	IL	—		0.25	dB
Isolation		20		—	dB
Input Return Loss		21			
Output Return Loss		21			

 **RoHS Compliant**

 **Electrostatic Sensitive Device**

Recommended Soldering Profile



© HUAYING 2014. All Rights Reserved.

Our liability is only assumed for the circulator and isolator component(s) per se, not for applications, processes and circuits implemented within components or assemblies.

For questions on technology, prices and delivery, please contact our sales offices or e-mail sales@dghuaying.com.