

Circulator
Approval Specification**Approval Specification****Complies with Directive 2002/95/EC (RoHS)**

TO:

Part No.: NDC9024

Customer's Part No.:

Application

Please return this copy as a certification of your approval

Checked & Approval by:

Date:

**CETC DEQING HUAYING ELECTRONICS CO., LTD.**

Add: Zhiyuan Road Wukang Deqing County

Zhejiang Province P.R.C

Tel: 0086-572-8281621

Fax: 0086-572-8281498

E-mail: sales@dghuaying.comWebsite: <http://www.dghuaying.com>

Prepared by:

Checked by:

Approved by

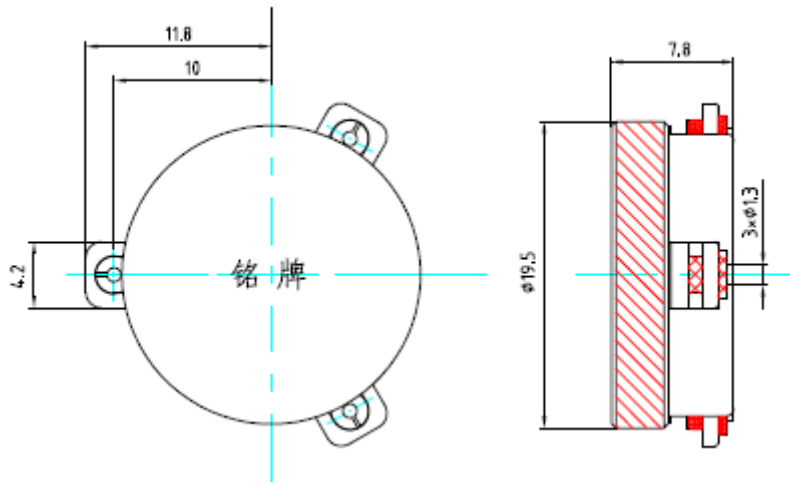
Old Version	Revision Date	Revision Record	Revisor

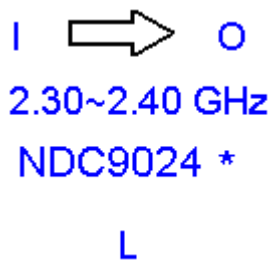
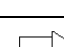
**Circulator
Approval Specification**

Features

- Microwave Circulators and Isolators for base station
- Metal Package for **Surface Mounted Technology (SMT)**
- Lead-free Production and **RoHS** Compliance

Package Dimensions



<p style="text-align: center;">Marking</p> 	Top View, Laser Marking											
	"ND": Manufacturer's mark				"C": Circulator							
	"9024": Part number											
	"I"		IN	"O"	OUT	"L"	LOAD			Conduct Direction		
	2.30~2.40GHz : operating Frequency Range											
	"*":		Lot number (The code shown below varies in a 4-year cycle)									

Code	1	2	3	4	5	6	7	8	9	10	11	12
2012	n	p	q	r	s	t	u	v	w	x	y	z
2013	A	B	C	D	E	F	G	H	J	K	L	M
2014	N	P	Q	R	S	T	U	V	W	X	Y	Z
2015	a	b	c	d	e	f	g	h	i	j	k	m


**Circulator
Approval Specification**

Electrical Characteristics

Reference temperature: $T_A = 25\text{ }^\circ\text{C}$
 Working temperature: $T_w = -40 \sim +85\text{ }^\circ\text{C}$
 Terminating source impedance: $Z_S = 50\ \Omega$
 Terminating load impedance: $Z_L = 50\ \Omega$

Characteristic	Min.	Typ.	Max.	Unit
Center frequency f_c		2350		MHz
Insertion attenuation $f_c \pm 50\text{ MHz}$ IL	—	0.22	0.25*	dB
Isolation $f_c \pm 50\text{ MHz}$	23*	25	—	dB
Input Return Loss $f_c \pm 50\text{ MHz}$	23*	25		dB
Output Return Loss $f_c \pm 50\text{ MHz}$	23*	25		dB

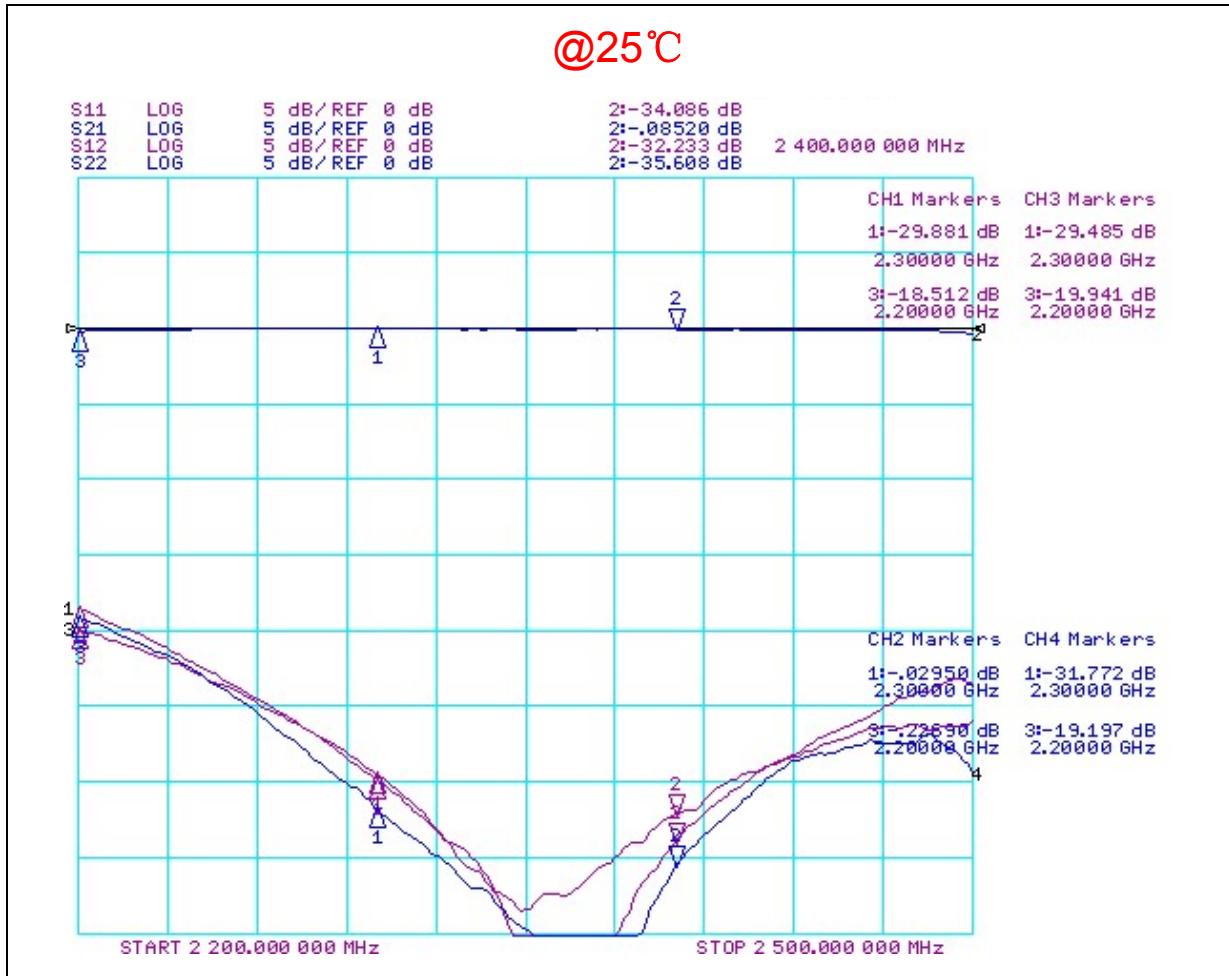
 **RoHS Compliant**

 **Electrostatic Sensitive Device**

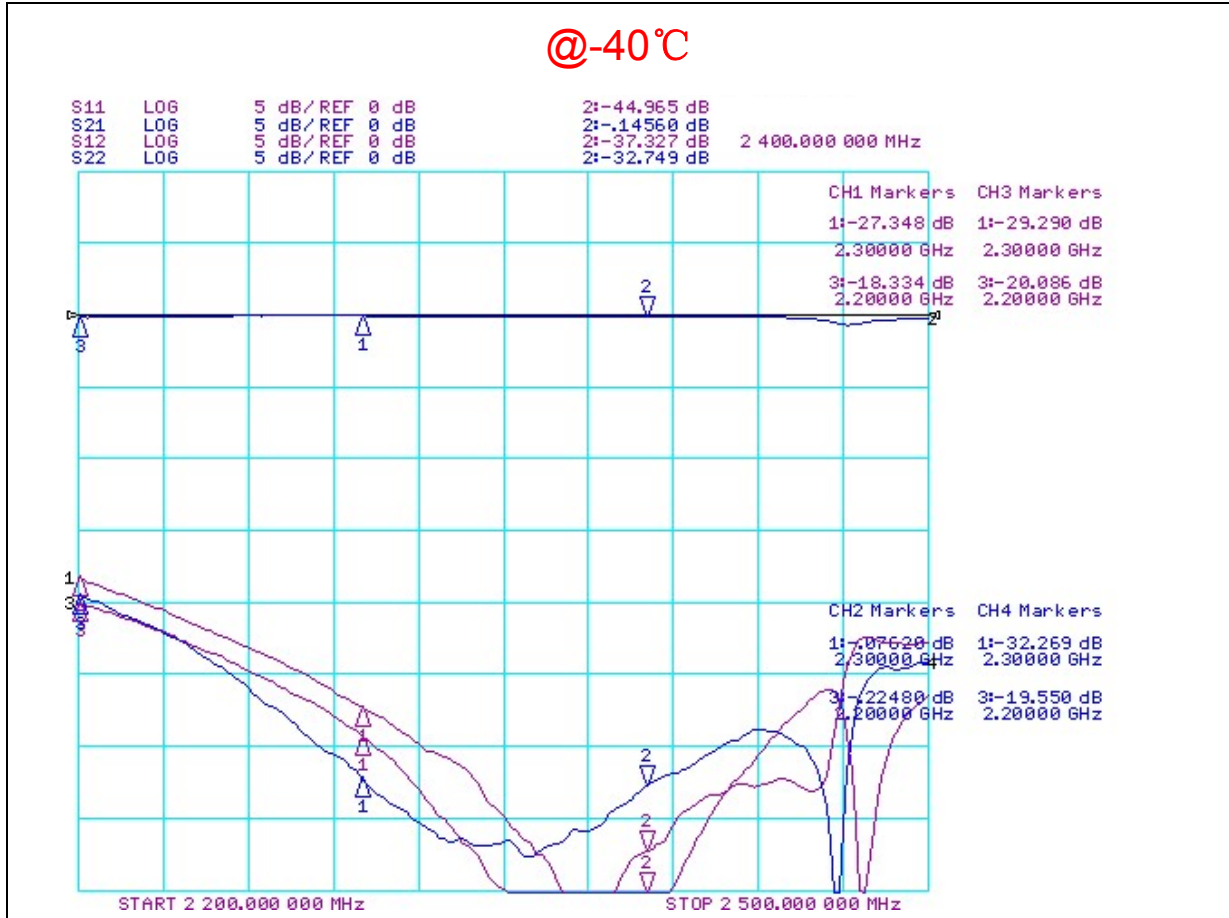
* @-40~85 °C

Frequency Response

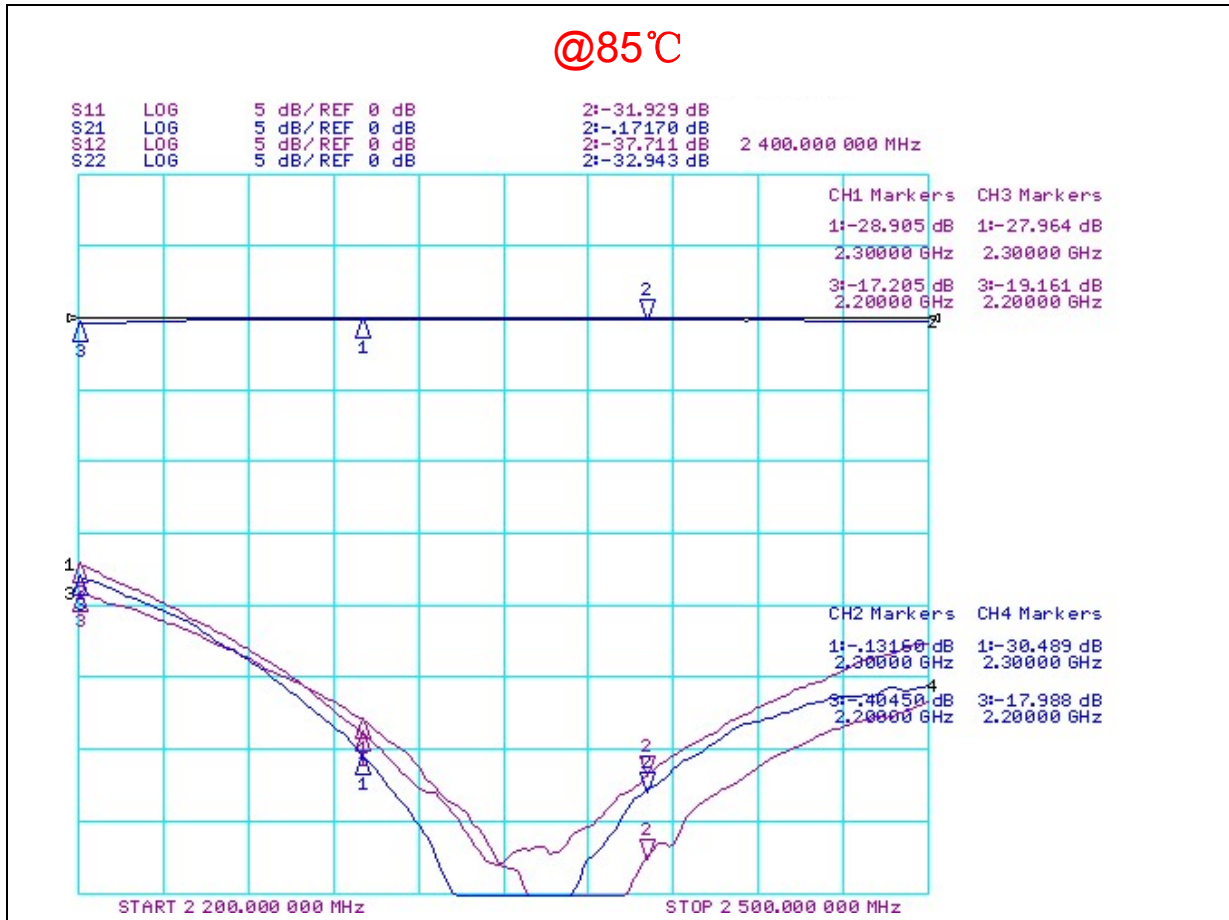
Circulator
Approval Specification



**Circulator
Approval Specification**

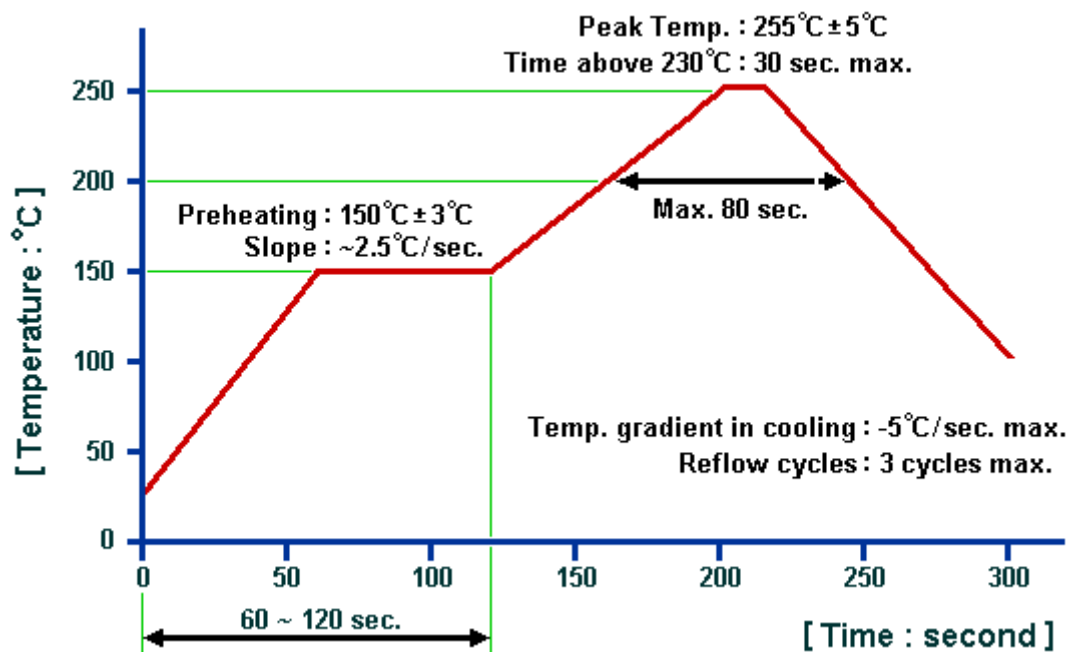


**Circulator
Approval Specification**



**Circulator
 Approval Specification**
Maximum Ratings

Rating		Value	Unit
Source Power	P	150	W
DC Voltage	V_{DC}	100	V
Operating Temperature Range	T_A	-40~ +85	°C
Storage Temperature Range	T_{stg}	-40 ~ +85	°C

Recommended Soldering Profile


© HUAYING 2014. All Rights Reserved.

Our liability is only assumed for the circulator and isolator component(s) per se, not for applications, processes and circuits implemented within components or assemblies.

For questions on technology, prices and delivery, please contact our sales offices or e-mail sales@dquaying.com.