

Circulator
Approval Specification**Approval Specification****Complies with Directive 2002/95/EC (RoHS)**

TO:

Part No.: NDI9009

Customer's Part No.:

Application

Please return this copy as a certification of your approval

Checked & Approval by:

Date:

**CETC DEQING HUAYING ELECTRONICS CO., LTD.**

Add: Zhiyuan Road Wukang Deqing County

Zhejiang Province P.R.C

Tel: 0086-572-8281621

Fax: 0086-572-8281498

E-mail: sales@dghuaying.comWebsite: <http://www.dghuaying.com>

Prepared by:

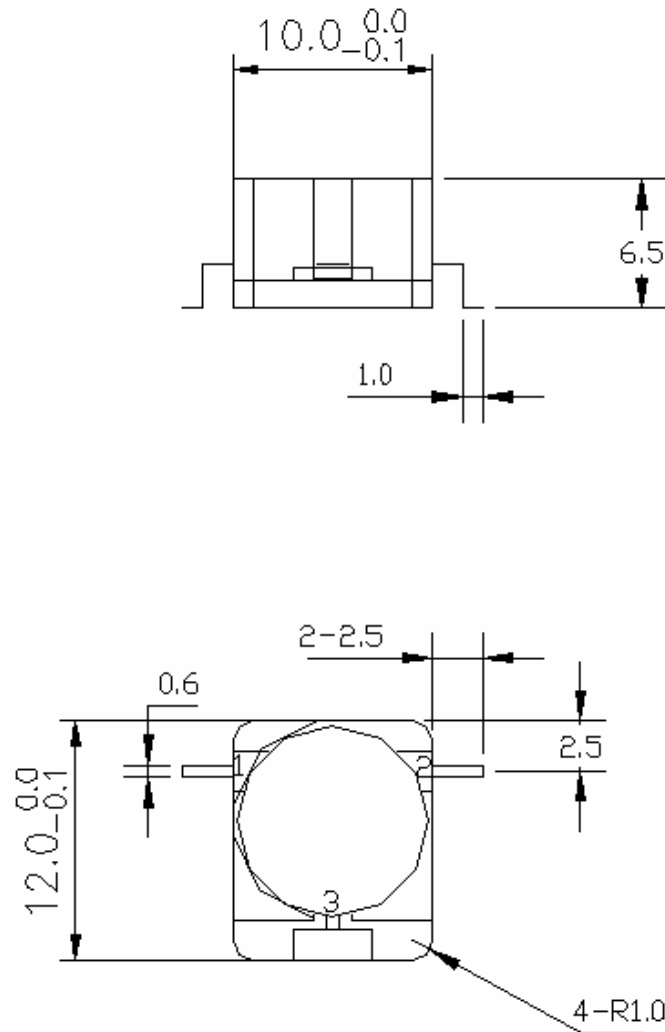
Checked by:


Approved by

Old Version	Revision Date	Revision Record	Revisor


**Circulator
 Approval Specification**
Features

- Microwave Circulators and Isolators for base station
- Metal Package for **Surface Mounted Technology (SMT)**
- Lead-free Production and **RoHS** Compliance

Package Dimensions


Marking	Top View, Laser Marking							
	"ND":	Manufacturer's mark				"I":	Isolator	
	"9009":	Part number				". .":	Terminal 1	
	"I"	IN	"O"	OUT	"L"	LOAD		Conduct Direction
		1800-2200MHz : operating Frequency Range						

**Circulator
Approval Specification**

 <p>****</p> <p>1800-2200MHz</p> <p>NDI9009</p>	<p>“*”:</p>	<p>Lot number (the first two numbers of years and the last two numbers of weeks)</p>
--	-------------	--

Maximum Ratings


Rating		Value	Unit
Average Power	P_{AVG}	30	W
Peak Power	P_{PX}	150	W
Reverse Power	P	10	W
Operating Temperature Range	T_A	-40 ~ +85	°C
Storage Temperature Range	T_{stg}	-55 ~ +150	°C

Electrical Characteristics

Reference temperature: $T_A = 25\text{ }^\circ\text{C}$
 Terminating source impedance: $Z_S = 50\ \Omega$
 Terminating load impedance: $Z_L = 50\ \Omega$

Characteristic		Min.	Typ.	Max.	Unit
Center frequency	f_c	1800		2200	MHz
Insertion attenuation	IL	—		0.7	dB
Isolation	2110~2170MHz	17		—	dB
Input Return Loss		17			
Output Return Loss		17			

 **RoHS Compliant**

 **Electrostatic Sensitive Device**

© HUAYING 2014. All Rights Reserved.

Our liability is only assumed for the circulator and isolator component(s) per se, not for applications, processes and circuits implemented within components or assemblies.

For questions on technology, prices and delivery, please contact our sales offices or e-mail sales@dquaying.com.