

**Circulator**  
**Approval Specification****Approval Specification****Complies with Directive 2002/95/EC (RoHS)**

TO:

Part No.: NDI9011

Customer's Part No.:

Application

Please return this copy as a certification of your approval

Checked &amp; Approval by:

Date:

**CETC DEQING HUAYING ELECTRONICS CO., LTD.**

Add: Zhiyuan Road Wukang Deqing County

Zhejiang Province P.R.C

Tel: 0086-572-8281621

Fax: 0086-572-8281498

E-mail: [sales@dghuaying.com](mailto:sales@dghuaying.com)Website: <http://www.dghuaying.com>

Prepared by:

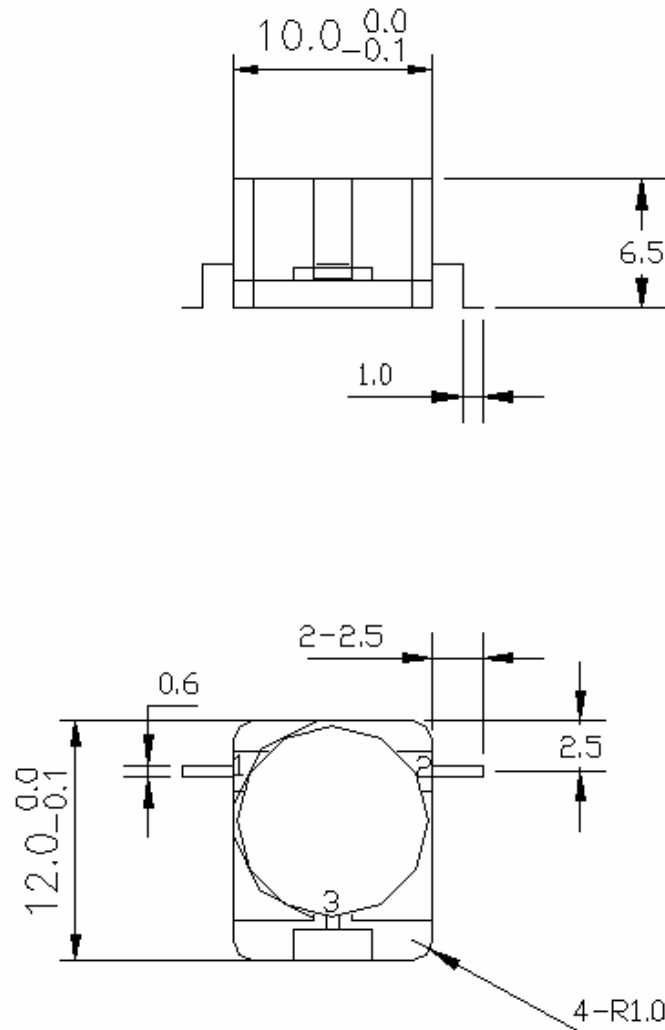
Checked by:

Approved by

Old Version	Revision Date	Revision Record	Revisor


**Circulator  
 Approval Specification**
**Features**

- Microwave Circulators and Isolators for base station
- Metal Package for **Surface Mounted Technology (SMT)**
- Lead-free Production and **RoHS** Compliance

**Package Dimensions**


Marking	Top View, Laser Marking								
	"ND":	Manufacturer's mark					"I":	Isolator	
	"9011":	Part number					". .":	Terminal 1	
	" "	IN	"O"	OUT	"L"	LOAD	⇨	Conduct Direction	
	2300-2700MHz : operating Frequency Range								

**Circulator  
Approval Specification**

 <p>****</p> <p><b>2300-2700MHz</b></p> <p><b>NDI9011</b></p>	<p>“*”:</p>	<p>Lot number (the first two numbers of years and the last two numbers of weeks)</p>
--	-------------	--

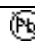
**Maximum Ratings**


Rating		Value	Unit
Average Power	$P_{AVG}$	30	W
Peak Power	$P_{PX}$	150	W
Reverse Power	$P$	10	W
Operating Temperature Range	$T_A$	-40 ~ +85	°C
Storage Temperature Range	$T_{stg}$	-55 ~ +150	°C

**Electrical Characteristics**

Reference temperature:  $T_A = 25\text{ °C}$   
 Terminating source impedance:  $Z_S = 50\ \Omega$   
 Terminating load impedance:  $Z_L = 50\ \Omega$

Characteristic		Min.	Typ.	Max.	Unit
Center frequency	$f_c$	2300		2700	MHz
Insertion attenuation	$IL$	—		0.7	dB
Isolation	2300~2700MHz	17		—	dB
Input Return Loss		17			
Output Return Loss		17			

 **RoHS Compliant**

 **Electrostatic Sensitive Device**

© HUAYING 2014. All Rights Reserved.

Our liability is only assumed for the circulator and isolator component(s) per se, not for applications, processes and circuits implemented within components or assemblies.

For questions on technology, prices and delivery, please contact our sales offices or e-mail [sales@dquaying.com](mailto:sales@dquaying.com).