

Circulator
Approval Specification**Approval Specification****Complies with Directive 2002/95/EC (RoHS)**

TO:

Part No.: NDI9018

Customer's Part No.:

Application

Please return this copy as a certification of your approval

Checked & Approval by:

Date:

**CETC DEQING HUAYING ELECTRONICS CO., LTD.**

Add: Zhiyuan Road Wukang Deqing County

Zhejiang Province P.R.C

Tel: 0086-572-8281621

Fax: 0086-572-8281498

E-mail: sales@dghuaying.comWebsite: <http://www.dghuaying.com>

Prepared by:

Checked by:

Approved by

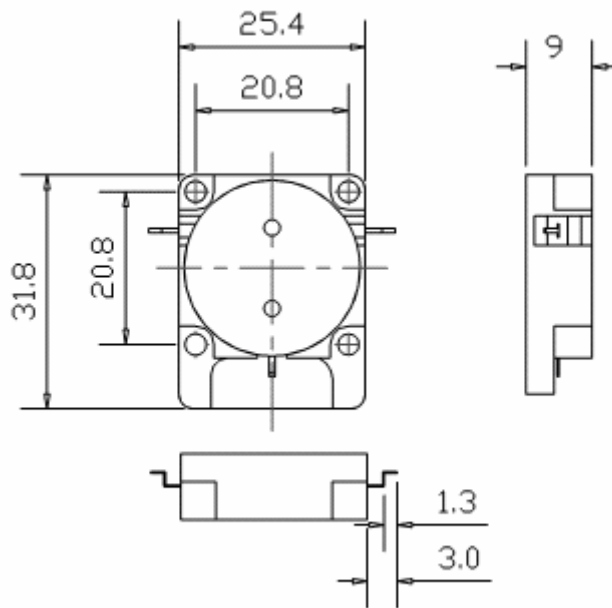
Old Version	Revision Date	Revision Record	Revisor

**Circulator
Approval Specification**

Features

- Microwave Circulators and Isolators for base station
- **Metal Package for drop in**
- Lead-free Production and **RoHS** Compliance

Package Dimensions



<p style="text-align: center;">Marking</p> <p style="text-align: center;">****</p> <p style="text-align: center;">I O</p> <p style="text-align: center;">1.805-1.880GHz</p> <p style="text-align: center;">NDI9018</p>	Top View, Laser Marking					
	"ND":	Manufacturer's mark		"I":	Isolator	
	"9018":	Part number				
	"I"	IN	"O"	OUT		Conduct Direction
	"	1.805-1.880GHz : operating Frequency Range				
	*":	Lot number (the first two numbers of years and the last two numbers of weeks)				



Maximum Ratings

Rating		Value	Unit
Average Power	P_{AVG}	200	W
Peak Power	P_{PX}	1200	W
Reverse Power	P	150	W
Operating Temperature Range	T_A	-40 ~ +90	°C
Storage Temperature Range	T_{stg}	-55 ~ +125	°C

**Circulator
 Approval Specification**
Electrical Characteristics

Reference temperature: $T_A = 25\text{ }^\circ\text{C}$
 Terminating source impedance: $Z_S = 50\ \Omega$
 Terminating load impedance: $Z_L = 50\ \Omega$

Characteristic	Min.	Typ.	Max.	Unit
Center frequency f_c	1.805		1.880	GHz
Insertion attenuation IL	—	0.18	0.25	dB
Isolation 1805~1880MHz	28	30	—	dB
Isolation 1745~1940MHz	18	27	—	dB
IMD(2X65W, 1MHz space)	75	80		dBc
Input Return Loss	23	26		dB
Output Return Loss	23	26		dB
Group Delay			2.0	ns
Group Delay variation			0.5	ns

 **RoHS Compliant**
 **Electrostatic Sensitive Device**

© HUAYING 2014. All Rights Reserved.

Our liability is only assumed for the circulator and isolator component(s) per se, not for applications, processes and circuits implemented within components or assemblies.

For questions on technology, prices and delivery, please contact our sales offices or e-mail sales@dquaying.com.